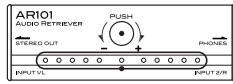
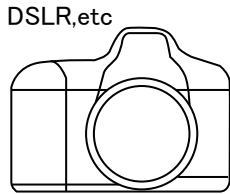


# AR101L

## Owners Manual Supplement

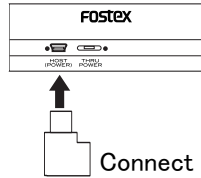
- AR101 can be used more convenient by using together with the battery case.
- Battery case can be mounted underneath the AR101.
- When using AR101 with DSLR, the battery case will provide power to the AR101.



Connect the AR101 STEREO OUT and DSLR Mic input.

<Note>

\*stereo-mini cable is needed separately.



Connect the USB mini B connector of battery case here.

- iPhone5 can be used with AR101 by connecting "USB - Lightning cable" to the USB A connector.

<Note>

\*Battery case USB A connector is not compatible to PC.

\*Battery case USB A connector is not compatible to "30pin - USB" cable of iPhone4.

When using with iPhone4, use 30pin cable comes with AR101 and connect directly to the AR101.

\*Battery case does not provide power to iPhone5.

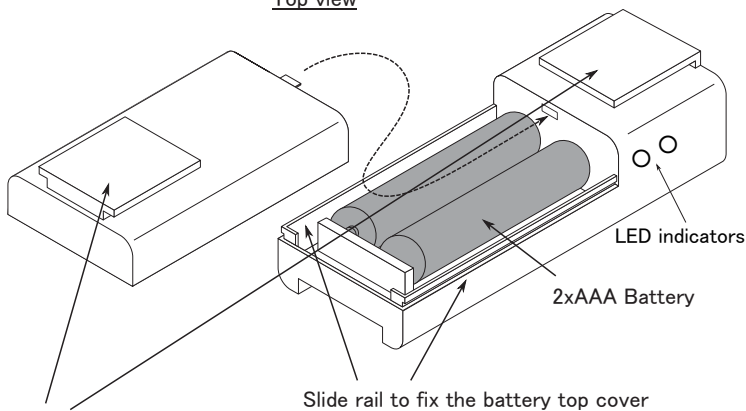
- LED indicator is provided along the side of battery case.

• Orange lit: battery case power is ON, normal working status.

• Red lit: AAA battery capacity becomes low.

Top view

Bottom view



Mounts to AR101 Bottom shoe rail

Slide AR101 to mount to the battery case

