

T925A

Features

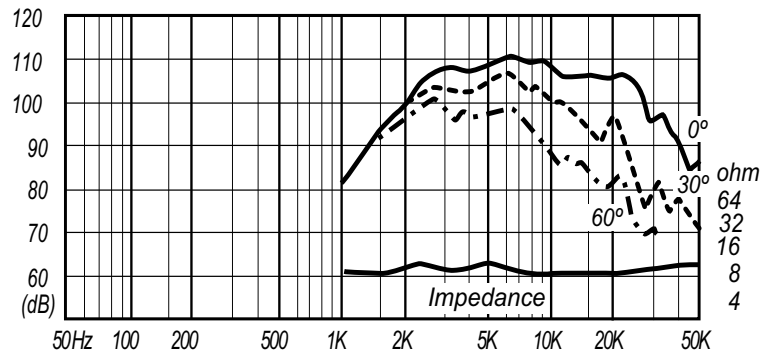
- ◆ Horn Super Tweeter
- ◆ 8 ohm impedance
- ◆ 5kHz to 40kHz frequency response
- ◆ 108dB sensitivity at 1W/1m (3.3ft)
- ◆ 2kg (4.41 lb) net weight



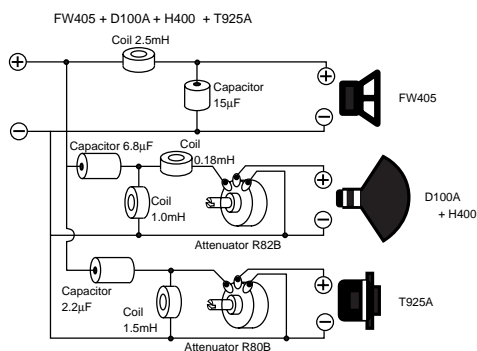
Specifications

Impedance	: 8 ohm
Reproduction Frequency Response	: 5kHz - 40kHz
S.P.L.	: 108dB/W (m)
Music Power	: 50W
Cutoff Frequency	: 3.5kHz
Recommended Cross-over Frequency	: more than 6kHz (12dB/Oct.)
Magnet (alnico)Weight	: 240g (0.53 lb)
Net Weight	: 2kg (4.41 lb)

Frequency Response / Impedance



Configuration Example



Dimensions & Mounting Information

